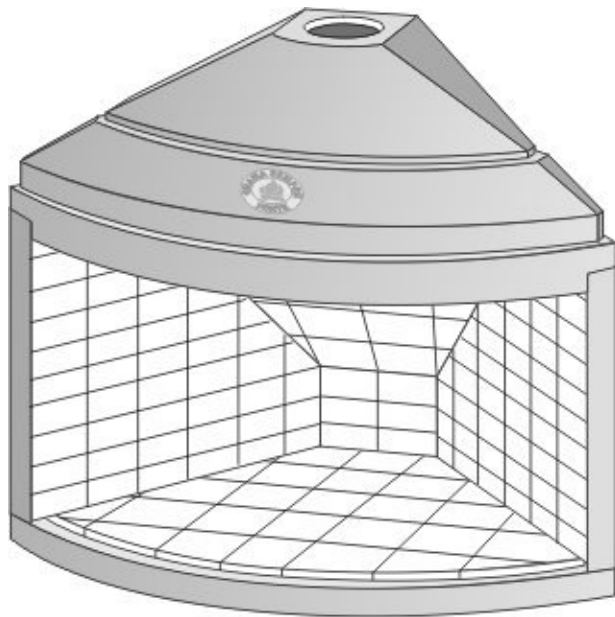




**MODEL 333
OUTDOOR FIREPLACE KIT**



INSTALLATION INSTRUCTIONS

&

OWNER'S MANUAL



Fogazzo Wood Fired Ovens and Barbecues LLC

Manufacturing, import, export, sales, and the distribution of wood fired ovens, barbecues, fireplaces and related accessories.

US Headquarters:
114 E Saint Joseph Street
Arcadia CA 91106
Toll Free: 1-866-364-2996
(626) 799-8110 Fax
www.fogazzo.com
info@fogazzo.com

Model 333 Installation Instructions © 2001-2005 Fogazzo Wood Fired Ovens and Barbecues LLC, all rights reserved
Images by: Sergio de Paula
Text by: Christina Mortimer

Note:

All text, illustrations, specifications, etc, are based on information available at the time of publication. Fogazzo Wood Fired Ovens and Barbecues LLC reserves the right to make changes at any time without notice.

Important:

Check with the local building authority and or fire department having jurisdiction over your project for all construction and permit requirements and or use approvals prior to the start of your installation.

Warranty:

A copy of the Fogazzo Limited Warranty is found on the last page of this manual and is also posted on the world wide web at <http://www.fogazzo.com/warranty.html>

UL and NFPA Compliance

This product has been tested to comply with the "Underwriters Laboratory" UL 737 Standard for "Fireplace Stoves" and, meets the "National Fire Protection Association" NFPA Classification of a "Prefabricated Fire Chamber Assembly". It shall be professionally installed in accordance to these instructions in order to maintain its UL and NFPA Compliance.

This product must be installed in accordance to the NFPA Standards for Chimneys, Fireplaces, Vents and Solid Fuel Burning Appliances "NFPA 211" in addition to all applicable local code requirements.

All chimney systems used in conjunction with this product must meet both the NFPA and UL Standards and be must be installed in strict accordance to the specific manufacturers instructions.

Declaration of Conformity Fogazzo, the sole manufacturer of this fireplace kit, hereby declares that this product is in conformity with the following standards and directives of the EEC.

Fogazzo Model 333
Wood Fired Fireplace Kit
89/106 EEC
Construction Products Directive
93/68/EEC
EC Marking Directive



The construction files for this product are held by Fogazzo (the manufacturer) and would be available for inspection by a national authority, upon request.

Signed by: Sergio de Paula  21st May 2001

For Fogazzo Wood Fired Ovens and Barbecues LLC



Thank you for choosing Fogazzo

Read all instructions carefully. Plan your installation well ahead of time to ensure the timely completion of your project. This installation system is meant for professionals with good knowledge of construction practices and is not recommended for do-it-yourselfers or amateurs. If you are unsure of any aspect of this installation, please consult your Fogazzo Representative or a qualified local contractor.

Every fireplace is unique in much the same way that no two homes are exactly the same. Architectural elements of the home generally dictate the style and finishes to be used which help to create the uniqueness of each particular installation. The aim of these plans is to convey known practices that are considered essential for a good installation. All of our plans emphasize safety and efficiency. A well-insulated fireplace will perform efficiently and therefore better. Minimal cracking is expected and is a characteristic of any cast refractory product. Sand and Vermiculite are used as insulation materials to increase efficiency. They are safe, non-flammable, readily available materials.

Following the guidelines contained herein are essential and will help to minimize cracking and to ensure that your Fogazzo Outdoor Fireplace will last a lifetime. Upon completion of the installation, it is critical that the initial firing guidelines are followed to ensure proper final curing of the fireplace.

Please follow the directions carefully and be patient. Your patience will be rewarded.

Thank you,

The Fogazzo Team

Model 333 Outdoor Fireplace Kit Installation Instructions

TABLE OF CONTENTS

· Kit Contents	1
· Materials List	1
· Precautions	2
· Before You Begin Schedule Summary Plan and Section View	3
· Foundation and Floor Slab Fireplace Assembly Walls	4
· Anchor Plate Schedule Summary Insulation	5
· Curing and Initial Firing Use and Care Resources	6
· Fogazzo Limited Warranty	7



Model 333 Outdoor Fireplace Kit Installation Instructions

Kit Contents

- 1 ea. Floor section, pre-cast
- 1 ea. Left wall, pre-cast
- 1 ea. Right wall, pre-cast
- 1 ea. Rear wall, pre-cast
- 1 ea. Top, with smoke damper frame, pre-cast
- 1 ea. Steel smoke damper with handle
- 1 ea. Lower flue, pre-cast
- 1 ea. Upper flue pre-cast
- 3 ea. Buckets of fire-proof sand for mortar mix

Printed Materials

- 1 Ea. Installation Instructions & Owners Manual
- 1 Ea. Warranty Card

Materials List

Your fireplace kit does not include anything not listed in the kit contents section above.

The materials list is provided for convenience only. Your materials list will vary based on the individual needs of your particular installation.

Foundation and slab

- Stakes and Forms
- 1500 lb or higher strength concrete mix.
- #4 rebar

Walls

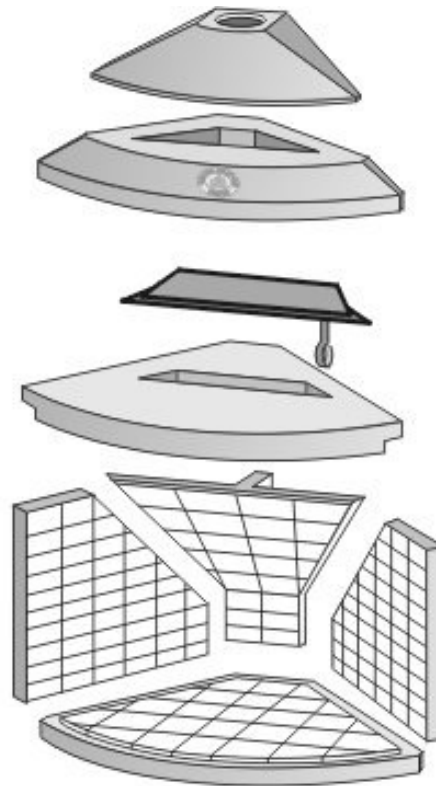
- Forms
- 6 x 6 x16 masonry blocks (CMU)
- Type S Masonry mortar
- #4 rebar
- 1500 lb or higher strength concrete mix.

Insulation

- Vermiculite, washed sand, mineral wool

Roof or cap

- Non-flammable roofing material



Chimney System

(not included in Fogazzo Kit)

- 1 each Duratech® #9641 Anchor plate for 8" pipe
- 1 each Duratech® double wall chimney pipe (exact length will depend on individual installation needs)
- 1 each Duratech® #9684 Chimney cap with spark arrestor
- 4 each Concrete anchors or screws

Order your Duratech components by calling toll free (866) 364-2996 or online at: <http://www.fogazzo.com>



**Duratech®
#9641 Anchor
plate for 8" pipe**

Important note on Construction Methods and Materials:

In this manual, we describe an installation using masonry construction, as this is our method of choice. You may also, choose to install this fireplace in a wood framed or a light gauge steel stud framed structure, using a double layer of cement backer board for the interior walls, mineral wool for insulation between studs and stucco, tile etc for an exterior finish, your choice, as long as you observe minimal clearance to combustibles and the installation methods you choose are allowed by all relevant and applicable codes.

**DO NOT THROW THIS MANUAL AWAY
PLEASE RETAIN THIS MANUAL FOR FUTURE REFERENCE.**

IF YOUR FIREPLACE IS NOT PROPERLY INSTALLED A FIRE MAY RESULT. TO REDUCE THE RISK OF FIRE, FOLLOW THESE INSTALLATION INSTRUCTIONS AND ALL LOCAL BUILDING AND FIRE CODE REQUIREMENTS CAREFULLY.

FOR YOUR SAFETY

Fireplaces must be vented using UL listed chimney components installed in accordance with all relevant Local and National Codes. Fogazzo recommends the use of Simpson Duravent chimney components in strict accordance with the manufacturers installation instructions.

WOOD FIRED FIREPLACES GENERATE CREOSOTE AND OTHER SUBSTANCES THAT WILL ACCUMULATE IN IT'S CHIMNEY OVER TIME. THE RATE OF ACCUMULATION DEPENDS ON FACTORS SUCH AS: FREQUENCY OF USE, FIRE TEMPERATURE, WOOD TYPE AND ITS MOISTURE CONTENT. THOROUGH FLUE AND CHIMNEY INSPECTION AND CLEANING IS THE BEST WAY TO MINIMIZE THE RISK OF CHIMNEY FIRES.

Chimney System Maintenance and Creosote Problems

When organic materials such as wood is burned in a fireplace, volatile gases and vapors are produced. These gases and vapors are carried up the chimney and some will condense on its surface, forming creosote. Chimney creosote is combustible and, if not removed from the inside of the chimney, may cause chimney fires. Chimney fires are very hazardous because their high temperature can cause structural damage to the chimney and surrounding structural elements of the house or can ignite nearby combustible materials. Creosote is produced when any type of wood is burned. Because of their higher extractive content, certain species have more potential than others for producing creosote, but the amount of creosote depends more on the type of fire and on the temperature of the chimney surface. A smoldering, low temperature fire will produce more creosote than a roaring, high temperature fire because the hotter fire burns more of the condensable gases. More creosote will condense on a cool chimney surface than on a warm surface. More creosote is also produced when wet wood is burned because of the lower temperature of the fire and less complete combustion.

Creosote problems can be minimized by:

- (1) Burning only well seasoned, thoroughly air-dried wood;
- (2) Making small hot fires instead of large smoldering fires.
- (3) Cleaning the chimney frequently.

Please refer to the chimney manufacturer's instructions for cleaning and maintenance.

FOGAZZO RECOMMENDS THAT YOU SUBMIT YOUR CHIMNEY PLANS TO THE AUTHORITY HAVING JURISDICTION BEFORE PROCEEDING WITH INSTALLATION OF ANY WOOD BURNING APPLIANCE.

Information on installation and or maintenance is available from Fogazzo, toll free at 1-866-364-2996. It is recommended that this outdoor fireplace be installed, and maintained by qualified professionals.

Before you begin
Schedule summary
Plan and Section views



Installation Instructions Toll Free Help Line 1-866-FOGAZZO



Before you begin

Review your plans carefully. Be sure to order any items which may hold up your schedule well ahead of the start of construction. Allow for sufficient time for each concrete pour to cure.

Schedule summary

Pre construction

- Order fireplace kit
- Order chimney system
- Order construction materials
- Order finish materials

Construction

- Build foundation and hearth base
- Assemble and grout fireplace kit
- Build surround
- Fill wall cavity
- Install chimney
- Build chimney chase
- Roof enclosure
- Install finish on walls
- Install finish around fireplace opening

Post Construction

- Allow 72 hours after installation for curing before the first firing of outdoor fireplace.

Important: All plans are for illustrative purposes only, check with local building authorities for specific code requirements.

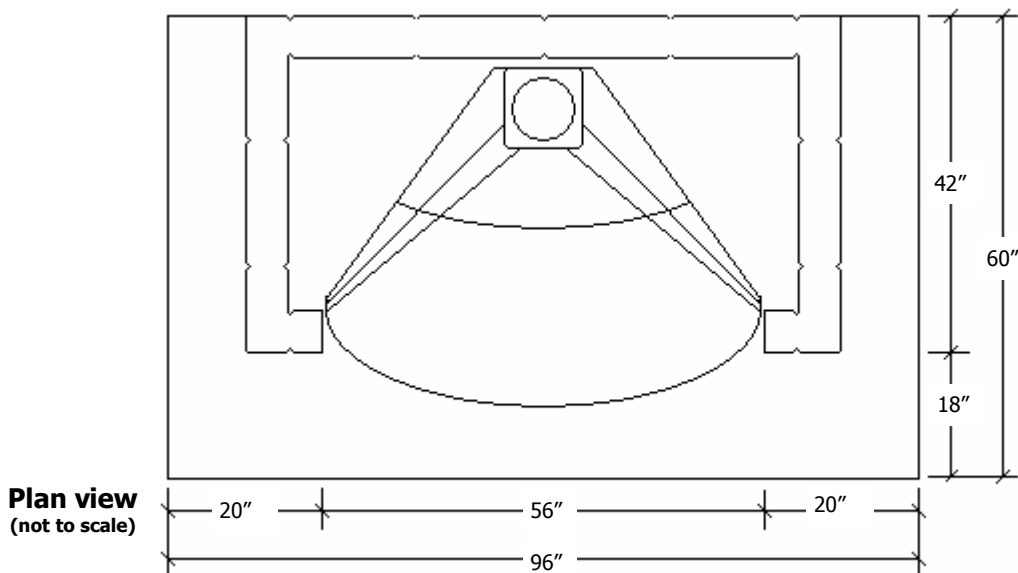
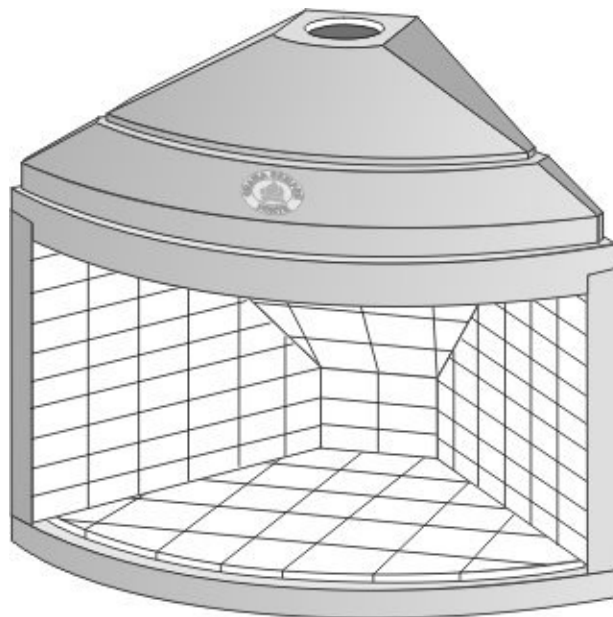


Fig 1

Foundation and floor slab
Fireplace assembly
First lift



Installation Instructions Toll Free Help Line 1-866-FOGAZZO



Foundation and floor slab

Dig a 96" wide by 60" front to back hole to a depth of at least 12 inches. Set forms around the perimeter using 2x4 or 2x6 material held by stakes. Use plywood to form hearth. Place rebar grid using #4 rebar at 12 inches on center in both directions. Place rebar dowels for masonry at 12 to 16 inches on center to a height that is sufficient to be continuous to the top of the chimney chase.

Pour foundation and hearth (3 1/2 to 24") as a monolith, using 1500 lbs. or higher concrete mix with 3/8 to 3/4" aggregate. If you are pouring a 12 to 18" hearth above ground, we suggest using ready mix concrete due to the volume needed. If the hearth is smaller, you may be able to mix on-site. Concrete is readily available at your local home center with cured strength ratings as high as 5000 lbs. Follow mixing instructions on bag.



If you plan on using large natural stones for a finish, you must install stone tabs into your mortar joints to provide a means of support.

Fireplace Kit Assembly

Assemble the kit using fireproof mortar mixed as follows:

- 5 Parts fire-clay sand (provided w/ kit)
- 1 Part Portland Cement

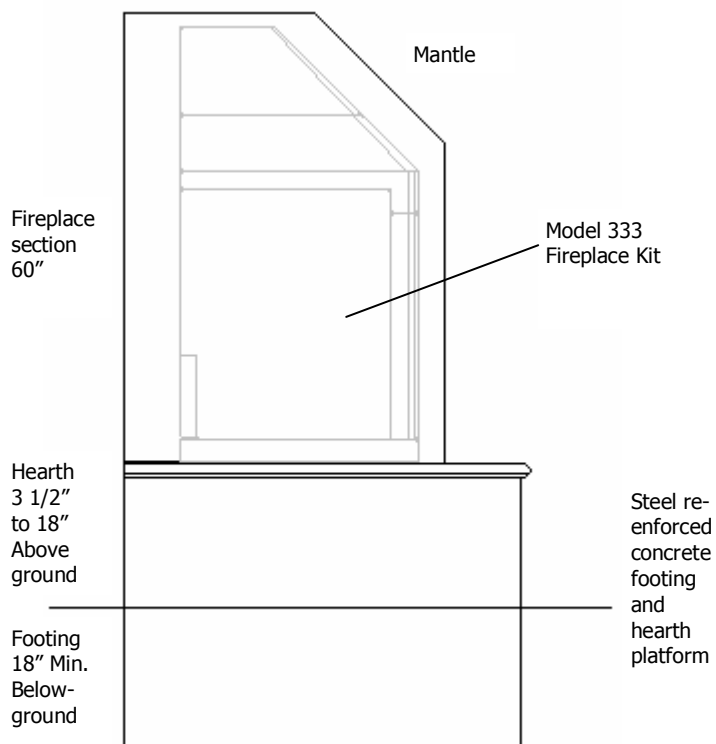
Mix using clean water to a peanut butter like consistency.

Place kit floor in center of hearth ensuring that it is level. Next set the walls and back on a 3/8 inch bead of mortar. Clean joints with a trowel or sponge as these will be visible joints. Set fireplace top and 2 part flue on a 3/8 inch of mortar, fill and clean all joints.

Walls (first lift)

If you are building a hearth above ground to a height of 18 inches. Erect four walls using 6x8x16 inch masonry blocks, to a height of 60" This is the top of your mantle. Use #4 rebar for vertical and horizontal reinforcing in accordance to local building codes. All masonry should be fully grouted as soon as practical. Use 2 by material for bracing across fireplace opening until grouted and cured.

Fig 2



Anchor Plate
Chimney, Chase and Cap
Insulation



Installation Instructions Toll Free Help Line 1-866-FOGAZZO



Anchor Plate

Drill four holes and secure anchor plate to pre-cast flue using concrete screws. **Be extremely careful not to damage the flue.** Use high temp silicone caulk between flue and anchor plate for an air-tight fit.

Chimney

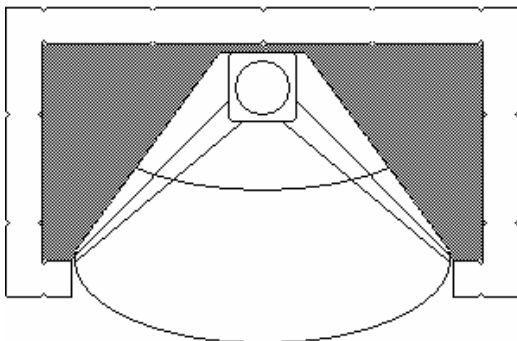
Build chimney to desired height following the manufacturers directions.

Chimney may need bracing depending on total height. Follow chimney manufacturers directions for bracing.

Chimney Chase and Cap

Build chimney chase to desired height, using CMU block with #4 rebar for vertical and horizontal reinforcement in strict accordance with local building codes. All masonry should be solid grouted.

Set roof, flashings and chimney cap according to manufacturers instructions.



Insulation

Fill the void in the fireplace section to insulate using a mix of washed sand and vermiculite granules in equal parts by volume. Fill the cavity using this mix to a minimal of 3" above the level of the anchor plate. Mineral wool batts, boards or loose fill can also be used for insulation.



Warning!

Regardless of type of construction, a minimal 1" gap must be kept between the sides and back of the fireplace and the surround walls, to allow for expansion and contraction.

Insulation may fill this gap only if its not packed

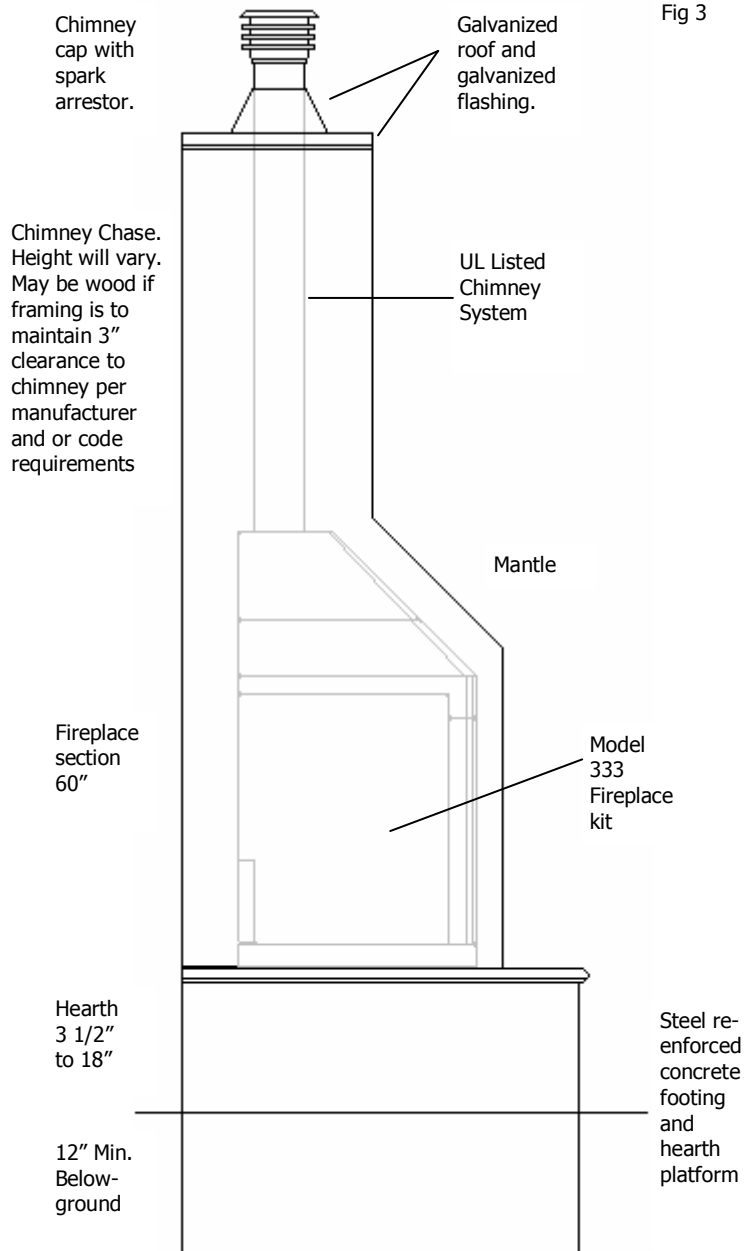


Fig 3

Installation Instructions Toll Free Help Line 1-866-FOGAZZO



Curing

You must allow the fireplace to cure a minimum of 3 days (72 hours) in order to allow sufficient moisture to evaporate from mortar etc., prior to initial firing.



In cold or humid climates it is recommended that the minimal curing period be extended to a full 7 days.



Initial Firing Procedures

Initial firing is the single most critical component in completing a good installation. Please follow these instructions carefully to ensure proper operation of your fireplace for many years to come.

First firing - 4 to 9 hours



Bricks are NOT TO EXCEED 325° FARENGHEIT

Using a fireplace rack, place 2 small logs 12 to 16 inches in length and 4 inches thick in the center of the rack over a handful of kindling and a couple of sticks of "Fatwood". Light the fire and keep it burning by adding a small log every hour for up to 9 hours.

On the next morning, clean any unburned wood and ashes.

Caution:

FIREPLACE MAY STILL BE HOT!

Your fireplace is now ready for normal use!

Use and Care

Your outdoor fireplace is designed to be an efficient source of heat. Please follow these operating guidelines for use and care to ensure that your fireplace will give you and your family a lifetime of efficient and comfortable heat.

Always

- Bring your fireplace to temperature slowly.
- Add wood in intervals (not all at once).
- Use dry, well seasoned quality firewood
- Keep combustibles a safe distance from a fire.

Never

- Leave a fire unattended
- Allow large amounts of cold water to hit a hot fireplace.
- Use tools that can scratch or chip your fireplace.
- Burn treated or painted wood or trash
- Add too much wood at once.
- Build a large fire inside your fireplace.
- Dispose of hot coals in the trash.

Resources

Chimney / Venting products

Order by calling toll free (866) 364-2996
or online at www.fogazzo.com

Fireplace Accessories

Order by calling toll free (866) 364-2996
or online at www.fogazzo.com



Fogazzo Limited Warranty

All items that we manufacture are warranted, when properly installed, operated and maintained, to be free from defects in material and workmanship and to conform to the specification, if any, listed on the installation instructions. If no specifications are listed, the items are warranted to conform to our currently published specifications. The warranty period is one year from the date of installation by the first user of the goods, or eighteen (18) months from the date of shipment to the first user, whichever occurs first.

No warranty is given for products or components (such as accessories, books, thermostats, etc.) manufactured by companies not affiliated by ownership with Fogazzo, or for goods which have been subject to misuse, improper installation, exposure to weather, or which have been modified or repaired by unauthorized persons.

We must receive written notice of defect within the warranty period.

Our liability is limited to servicing, repairing or adjusting any item as determined by our engineering department. After evaluating the problem, Fogazzo will determine the course of action to be taken in order to make necessary repairs or for the damaged or defective item to be returned to the factory for the purpose of receiving repairs. This may include replacing any defective parts. Customer must pay packing, crating and transportation costs to and from the factory. At Customer's request, we will make reasonable efforts to provide warranty service at the Customer's premises, provide that Customer pays our then current rates for field service and the associated travel and living expenses. If a fault has been caused by improper installation, maintenance or use, or by abnormal conditions of operation, repairs will be billed at normal rates. If any fault develops, the following steps should be taken:

1. Notify us by giving the item model number, serial number and details of the difficulty. On receipt of this information, you will be given service data or shipping instructions.
2. On receipt of shipping instructions, forward the item prepaid. If the item or the fault is not covered by warranty, an estimate of charges will be furnished before work begins.

FOGAZZO WOOD FIRED OVENS AND BARBECUES DISCLAIMS STATUTORY AND IMPLIED WARRANTIES, SUCH AS WARRANTIES OF MERCHANTABILITY AND FITNESS FOR PURPOSE. WE ALSO DISCLAIM ALL WARRANTIES REGARDING ANY ANCILLARY SERVICES RENDERED.

